

HIGH PERFORMANCE DIESEL WELDING SET *DAW-500S*

HIGH PERFORMANCE DIESEL WELDING SET
DAW-500S



500A Permanent Magnet Welder

- Greatly improved arc welding performance
- 100% duty cycle realized at 400A
- Compact, lightweight and quiet
- Improved energy efficiency

Denyo Co., Ltd.

DAW-500S

HIGH PERFORMANCE DIESEL WELDING SET

FEATURES

Dramatically improved arc welding performance

The 500A welder incorporates an innovative power generator with a permanent magnet and newly developed current control system that offers stable arc performance for all sizes of welding rods. This high-quality welding power source is suitable for pipeline construction and other projects.

Lightweight, compact design improves on-site maneuverability

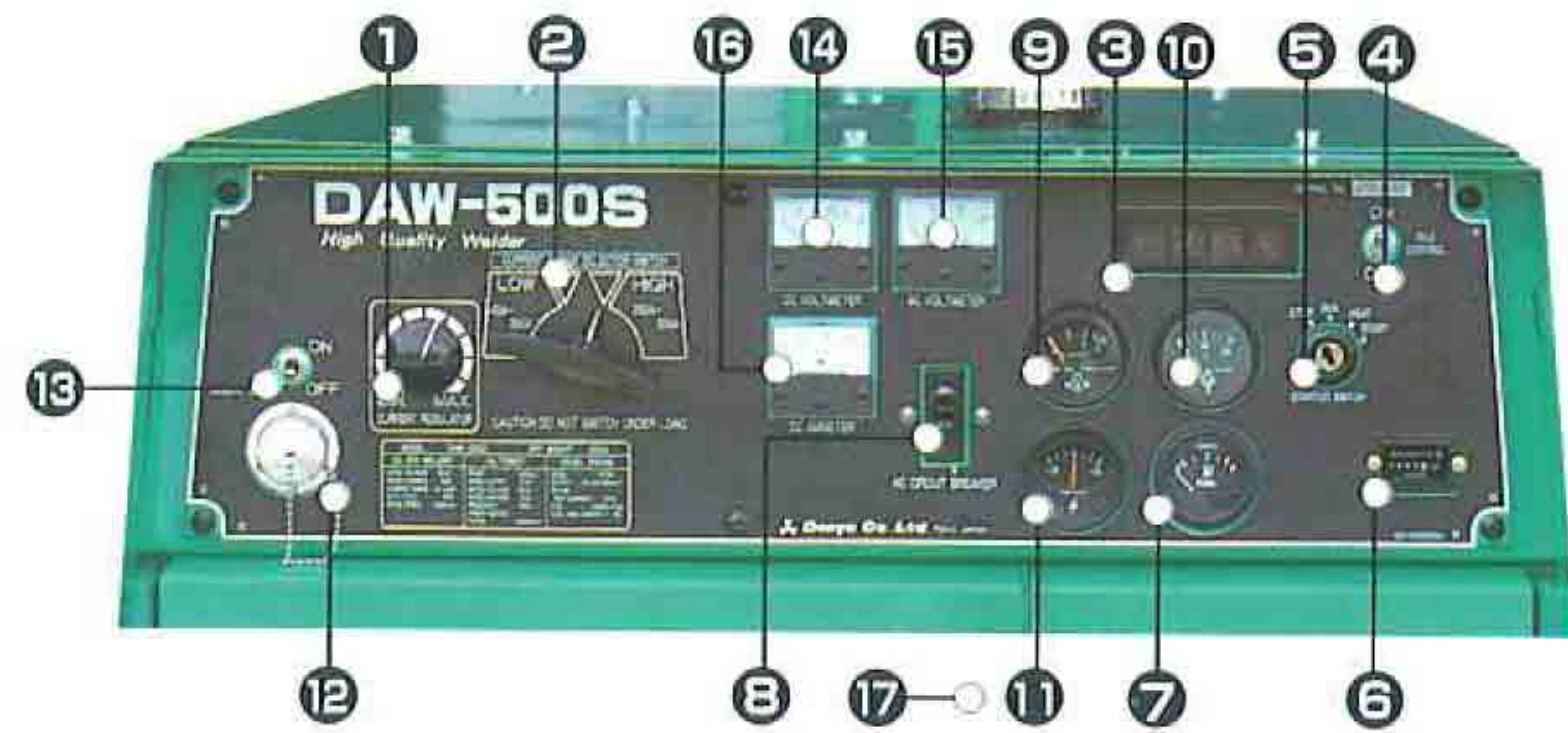
The welder's newly developed power generator incorporates a brushless permanent magnet and field coils that greatly reduce overall weight. Compared to previous models, the 500A's powerful generator is more efficient, compact, lighter weight, and engine output requirement has been reduced by approximately 20%.

Economical owing to low fuel consumption

A built-in slow-down unit incorporated into the 500A's generator increases fuel efficiency and improves performance.

Designed for increased safety

The welding set is equipped with safety devices as standard equipment, such as an emergency shut-off device to protect the generator at welding output overload and the engine at low oil pressure, high water temperature and battery insufficient charge.



CONTROL PANEL

Standard

- ① Current Regulator
- ② Current Range Selector Switch
- ③ Warning Lamp Unit (Oil, Water, Charge, Preheat)
- ④ Idle Control Switch
- ⑤ Starter Switch
- ⑥ Hour Meter
- ⑦ Fuel Gauge
- ⑧ AC Circuit Breaker

Option Set 1

- ⑨ Oil Pressure Gauge
- ⑩ Water Temperature Gauge
- ⑪ Battery Charging Ammeter

Option Set 3

- ⑫ DC Voltmeter
- ⑬ AC Voltmeter
- ⑭ DC Ammeter

Option Set 2

- ⑯ Remote Control Receptacle
- ⑰ Remote Control Switch

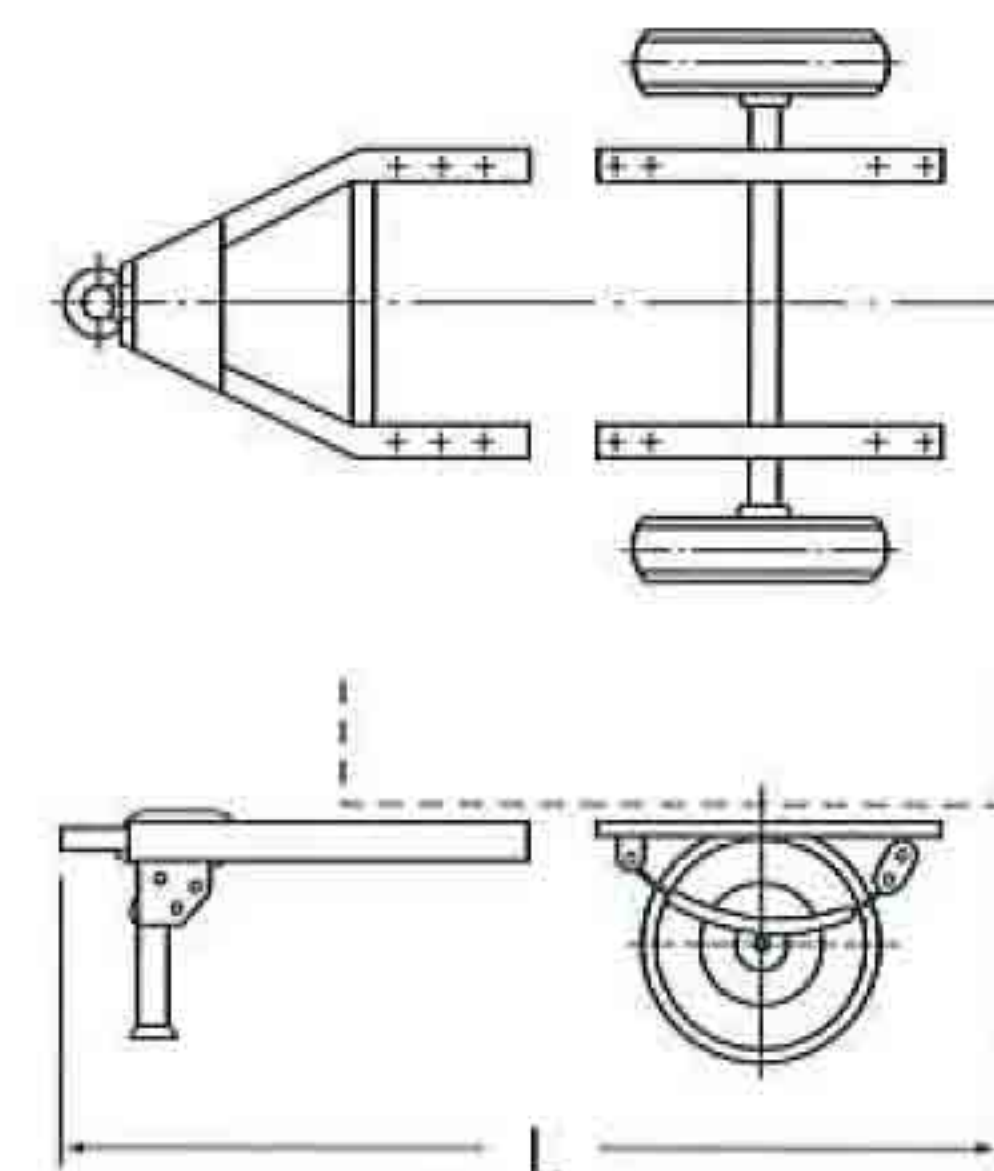
Option Set 4

- ⑱ Polarity Change-Over Switch

TRAILER

	2-Wheel Trailer
Length	2070mm
Width	1290mm
Height	1325mm
Dry weight	520kg
Tire size	5.00 10-6PR

Dimensions and weight include welding set.



ISO 9001 Certified



SPECIFICATIONS

MODEL DAW-500S

DC WELDING GENERATOR		ENGINE	
Type	Permanent magnet type	Model	Kubota D-1703
Rated speed	2800min ⁻¹	Type	4-cycle, water-cooled diesel engine
Rated output	DC 18kW	Rated output	25.4kW (34.5PS)/2800min ⁻¹
Rated current	460A	No. of cylinders	3
Rated voltage	38.4V	Displacement	1.647L
Current range	40~500A	Fuel	ASTM No. 2 diesel fuel or equivalent
Applicable electrode	2.6~8 mm	Fuel consumption	5.2L/hr.
Duty cycle	75%	Fuel tank capacity	45 L
Maximum output	3.0kW	Starting system	Electric starting
Rated voltage	100/110/120/200/220/230/240V	Cooling system	Water-cooled by radiator with fan
Frequency	50Hz or 60Hz		
Dimensions (LxWxH)	1260 x 800 x 870 mm	Dry weight	435kg

The specifications given herein are subject to change without notice.

